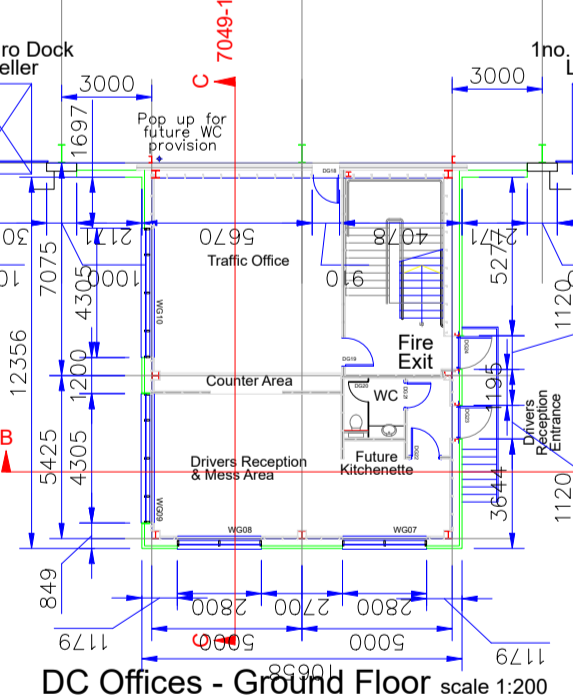
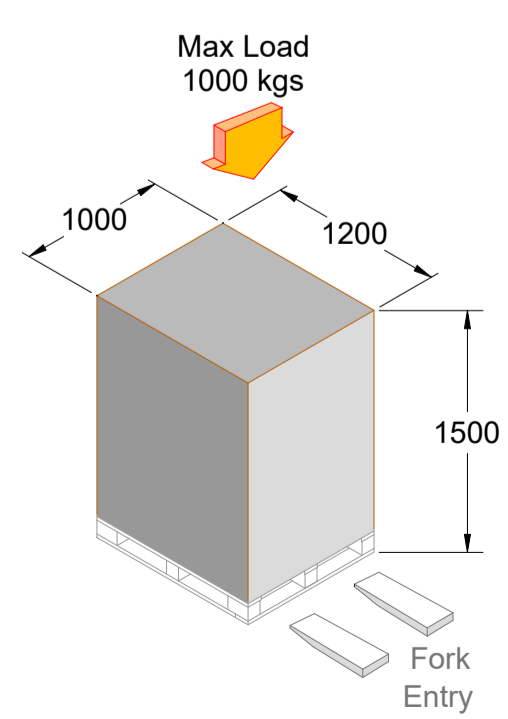
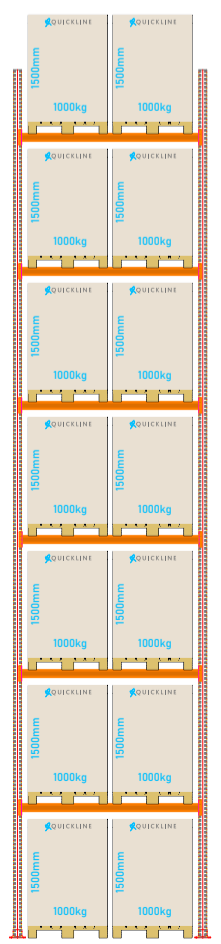


Warehouse Unit



DC Offices - Ground Floor scale 1:200



NOTES
NARROW AISLE
PALLET COUNT = 25,802

REVISION	DATE
-	00-00-0000

CLIENT		-	
DRAWING NO.	CAD REFERENCE	-	
TBC-05	-	-	
REVISION	INSTALLATION DATE	-	
-	-	-	
ENQUIRY	<input checked="" type="checkbox"/>		
FIRST APPROVAL	<input type="checkbox"/>		
FINAL APPROVAL	<input type="checkbox"/>		
INSTALLATION DRAWING <input type="checkbox"/>			
DRAWN BY	CHECKED BY	APPROVED BY	COPYRIGHT
AS	-	-	This Drawing is the property of QUICKLINE LIMITED. It may not be copied without the permission of the store mentioned company. The information shown on this drawing is to be considered confidential and may not be disclosed to any third party.
DATE DRAWN	SCALES USED	PAGE SIZE	
25-06-2024	1:1	A1	

QUICKLINE
Unit 5 Mariner Court
Calder Park
Wakefield
WF4 3FL
0113 880 0866
info@quicklinestorage.co.uk
www.quicklinestorage.co.uk

TITLE
INTEGRA 61 BOWBURN
NARROW AISLE